

VALLEY METAL

SPW SERIES

2000

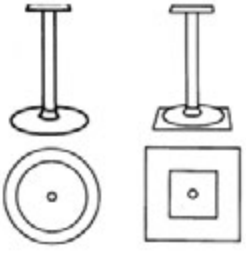




2418
WITH OPTIONAL
CHROME FLARE



2000 STAND UP
WITH OPTIONAL CHROME
FOOT RING AND FLARE



| SPW SERIES | SIZE | | SHIPPING | | SPECIFICATIONS |
|---|---|---------------------|-----------|--|---|
| | MODEL NUMBER | REC. MAX. TOP SIZES | K.D. CUBE | WT. | |
|  | 1800 | 30 DIA. | 1.2 | 27 | BASE PLATE 3/16" Formed Steel, |
| | 1818 | 30x30 | 1.4 | 33 | COLUMN 2 1/2" Diameter Heavy Duty Tube |
| | 2000 | 38 DIA. | 1.2 | 33 | TOP MOUNTING 10" X 10" Formed Steel |
| | 2020 | 38X38 | 1.4 | 38 | |
| | 2400 | 48 DIA. | 1.5 | 41 | HEIGHT Standard Height 28" Stand up Height 40 1/2" Other Heights Optional |
| | 2418 | 30x48 | 1.5 | 46 | |
| | 2424 | 46x46 | 1.8 | 52 | LEVELING GLIDES Optional - see page 60 |
| OPTION | | | | | |
|  | FLARE | | INC. | INC. | ASSEMBLY RTA (ready to assemble) Standard, Single 1/2" Steel Connector Rod |
| | COLUMN | | INC. | INC. | |
| | STAND UP COLUMN | | +2 | +2 | COLUMN FLAIR Spun Steel |
| | FOOT REST | | +5 | +2 | |
| | BASE PLATE | | INC. | INC. | OPTIONAL FOOTRING 1 1/4" Diameter Welded to Base |
| SPW 2418 |  | | | FINISHES POWDER COAT See color chart for stocking color Custom colors available PLATED FINISHES CHROME Polished Satin Brushed NICKEL Polished Satin Brushed Antique BRASS OR COPPER Polished Satin Brushed Antique | |

See product guide for ordering information