

VALLEY METAL

PST SERIES

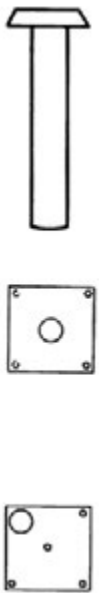

2001

2000 WITH OPTIONAL CASTER

3000

6000



PST SERIES	SIZE		SHIPPING		SPECIFICATIONS
	MODEL NUMBER	TOP PLATE SIZE	K.D. CUBE	WT.	
	1000	3x3	.14	2.5	LEG UNIT Heavy Duty Steel Tube Top Plate <ul style="list-style-type: none"> Standard product welded center mount Welded corner or side mount when specified Optional Universal RTA top plate on Model 3000 & 4000, 4 bases per box (See Pricing Schedule for up charge)
	1250	3x3	.14	3	
	1500	4x4	.26	3.5	
	2000	4x4	.26	5	HEIGHT Standard Height 28", Other Heights Optional
	2500	6x6	0.6	8	
	3000	6x6	0.6	10	LEVELING GLIDES Adjustable Non Marking Glides
	4000	8x8	1.0	12	
	5000	8x8	1.0	13.5	ASSEMBLY Unit Welded, or RTA (ready to assemble) universal only
	6000	10x10	1.7	16	
		1001	3x3	.14	2.5
1251		3x3	.14	3.0	
1501		4x4	.26	3.5	
2001		4x4	.26	5.0	

See product guide for ordering information

PST 6000

